

New Lineup for Low Temperature Services!

Extension Bonnet Ball Valve

UTBDXK Series

Features

- Extended bonnet to prevent stem sealing area from freezing
- Anti-blowout stem
- Vent hole on ball prevents any excessive cavity pressure
- Oil/Water free treatment (as per KITZ standards)
- Price advantage in thermal retention including brine services



Extension Bonnet Ball Valve

Product Code: (G-) 150UTBXK (M) / (G-) 10UTBDXK (M)

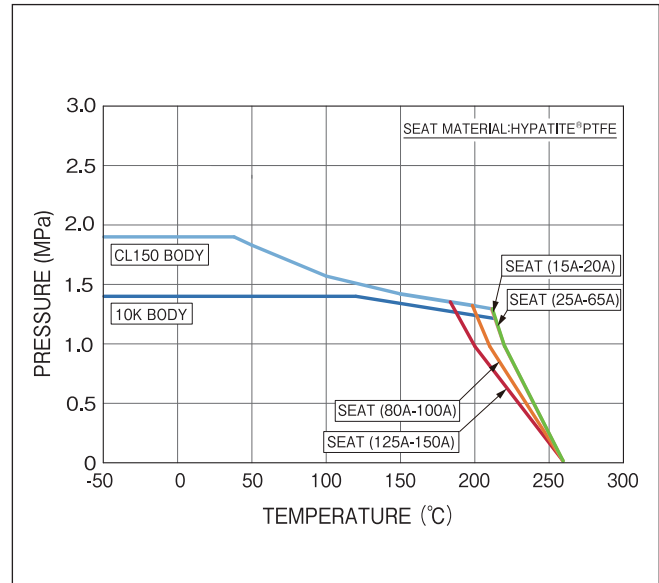
■ Specification

Nominal Size	: DN 15 - 150 (NPS 1/2 - 6)
Nominal Pressure	: ASME Class150 JIS 10K
Face to Face	: ASME B16.10
Flange Type	: RF
Temperature Range	: -50°C~+260°C ^{※2}
Body Material	: A351 Gr. CF8/SCS13A A351 Gr. CF8M/SCS14A

■ Main Parts Material

Parts	Material (150UTBXK)	Material (150UTBXKM)
Body	A351 Gr. CF8/SCS13A	A351 Gr. CF8M/SCS14A
Cap	A351 Gr. CF8/SCS13A	A351 Gr. CF8M/SCS14A
Stem	304SS	316SS
Ball	304SS	316SS
Gland Packing	PTFE	PTFE
Gasket	PTFE	PTFE
Packing Washer	316LSS	316LSS
Ball Seat	Hypatite® PTFE	Hypatite® PTFE
Thrust Washer	Glass-filled PTFE	Glass-filled PTFE
Stem Bearing	PTFE	PTFE

■ Pressure-Temperature Rating



■ Valve Operator

NPS 1/2 to 4: Lever operation

NPS 5 to 6: Gear operation

※ Pneumatic and Electric actuated valves are available as option

■ Dimension Table

unit : mm

Nomal Size		d	d1	H	D1	L	A	B
DN	NPS							
15	1/2	15	13	254	130	108	-	-
20	3/4	20	18	257	130	117	-	-
25	1	25	23	276	160	127	-	-
40	1 1/2	40	38	265	230	165	-	-
50	2	50	48	272	230	178	-	-
65	2 1/2	65	63	305,5	400	190	-	-
80	3	80	78	315	400	203	-	-
100	4	100	98	349	460	229	-	-
125	5	125	123	464	310	356	65.5	165
150	6	150	148	489	310	394	65.5	165

※ Please refer to as built dimensional drawing for more details.

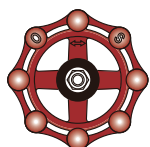
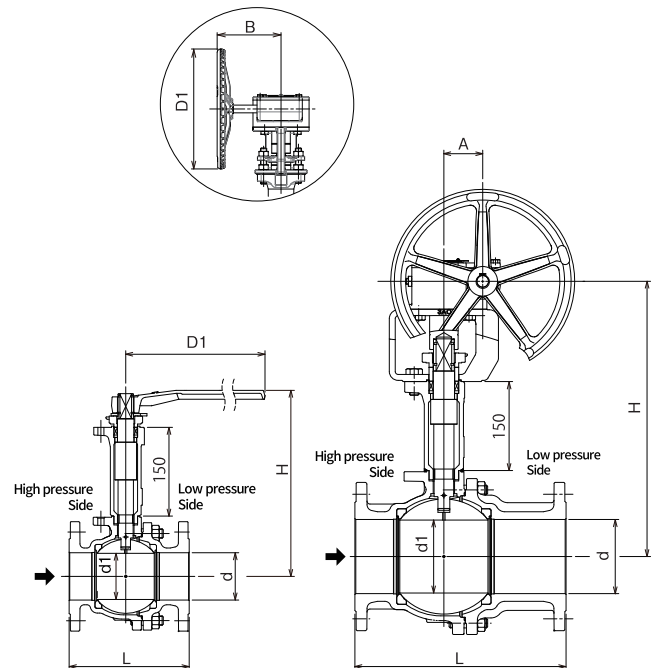
※1 Gear operation

※2 Applicable temperature range used for heat cycle operation:

for low temperature from -50°C to +150°C

for high temperature from -30°C to +260°C

※ Stem position shall be oriented from 45° to 90° above the horizontal plane and should not be used for vertical piping.



ISO 9001 certified since 1989

KITZ
KITZ CORPORATION

International Business Development Dept.
Tokyo Shiodome Building,
1-9-1, Higashi-Shimbashi, Minato-ku,
Tokyo 105-7305, Japan
Phone : +81-50-3649-2202

- Distributed by -