



Certified to  
NSF/ANSI 61 & 372

300PSI

# Grooved End Butterfly Valve



## 300PSI Grooved End Butterfly Valve

100% Holiday Tested

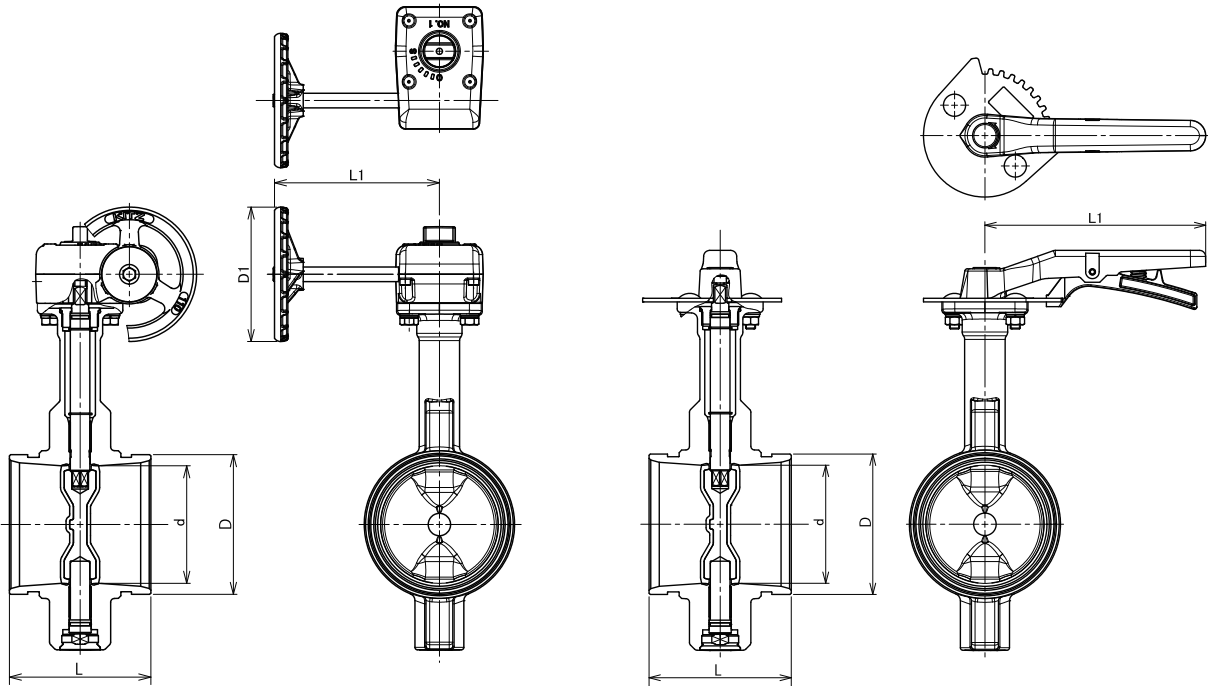
Maximum Operation Pressure		300psi (2.1 MPa)	BOM	
Size	2"-6" (Lever Operated) / 2"-12" (Gear Operated)		NAME OF PARTS	MATERIALS
Temperature	-4°F to 230°F / -20°C to 110°C (Continue service 32°F to 212°F / 0°C to 100°C)		BODY	Ductile Iron + NYLON
End to end	MSS SP-67(2011)		STEM	410SS (SIZE 2"-2 1/2") 420SS (SIZE 3"-12")
End Construction	AWWA C606-15		DISC	Ductile Iron + Chlorine / Chloramine resistant EPDM*

\*NBR Type Available

Fig. No.

Lever : 4244L(300SGECE)

Gear : 4244G(G-300SGECE)



DIMENSIONS		Unit: mm/inch		[Nm]		Disc Open[°]								
NOMINAL SIZE		d	D	L	L1		Operation Torque *	Flow Coefficient (Cv)						
NPS	DN				LEVER	GEAR		90	80	70	60	50	40	30
2	50	45/1.77	60.3/2.37	81.0/3.19	180/7.09	122/4.80	10	64	52	28	17	9	5	1
2 1/2	65	60/2.36	73.0/2.87	96.8/3.81	180/7.09	122/4.80	15	198	160	87	51	28	14	4
3	80	74/2.91	88.9/3.50	96.8/3.81	180/7.09	135/5.31	23	349	282	154	90	50	25	6
4	100	96/3.78	114.3/4.50	115.8/4.56	180/7.09	135/5.31	29	647	524	285	168	92	47	12
5	125	119/4.69	141.3/5.56	147.6/5.81	230/9.06	150/5.91	54	998	808	440	259	142	73	18
6	150	145/5.71	168.3/6.63	147.6/5.81	230/9.06	150/5.91	68	1,632	1,321	719	423	232	119	30
8	200	191/7.51	219.1/8.63	133.4/5.25	---	150/5.91	127	3,068	2,482	1,351	795	436	223	56
10	250	241/9.49	273.0/10.75	158.8/6.25	---	251/9.88	255	4,154	3,360	1,829	1,077	590	303	76
12	300	290/11.42	323.9/12.75	165.1/6.50	---	251/9.88	385	6,391	5,170	2,814	1,657	908	465	117

\*(Max unloading torque at shipping inspection)

⚠ State of California Prop 65 WARNING : Cancer and Reproductive Harm. For more information visit [www.p65warnings.co.gov](http://www.p65warnings.co.gov)



- Distributed by -

International Business Development Dept.  
Tokyo Shiodome Building, 1-9-1, Higashi-Shimbashi,  
Minato-ku, Tokyo 105-7305, Japan  
Phone : +81-50-3649-2202