

Class 300

High Performance Butterfly Valve



Class 300 High Performance Butterfly Valve

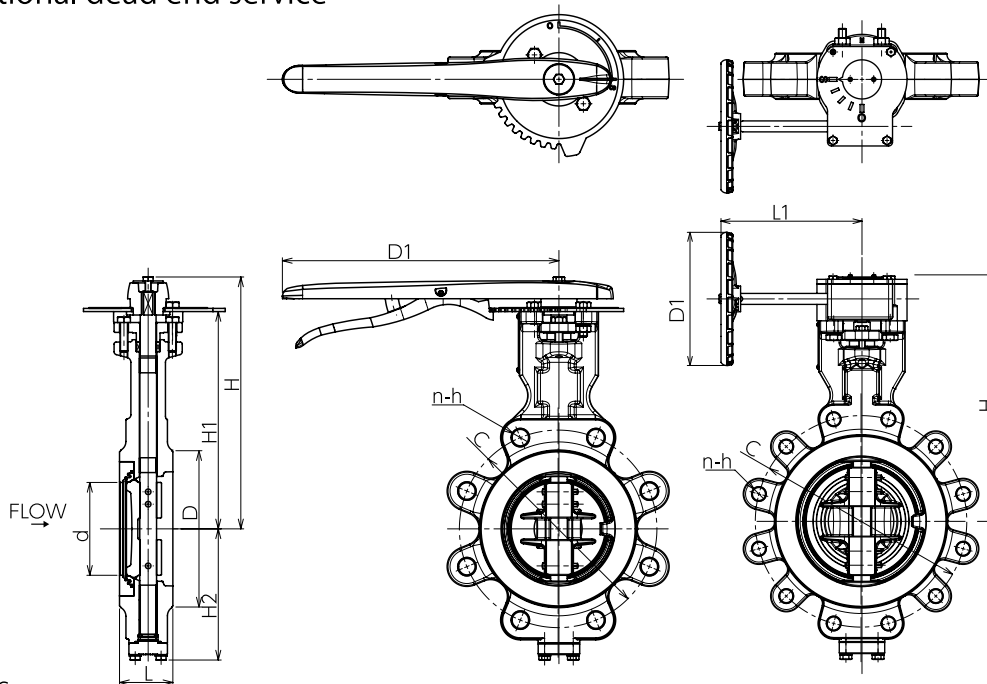
Fig.No.
Lever : 300SCHBSL(6365L)
Gear : G-300SCHBSL(6365G)

Maximum Operation Pressure	740psi (5.1 MPa)
Size	2½" to 5" (Lever Operated) /6" to 12"(Gear Operated)
Temperature	-29°C to 204°C
Face to Face	MSS SP-68 (Size 2½" & 5" KITZ Standard)
End Connection	LUG TYPE (ASME B16.5 CL300)
Wall Thickness	ASME B16.34 CL300

BOM

NAME OF PARTS	MATERIALS
BODY	Carbon Steel
STEM	Stainless Steel
DISC	Stainless Steel

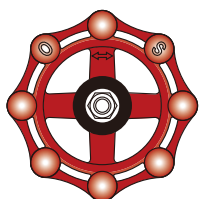
- The brand new Class 300 High Performance Butterfly Valve 300 SCHBSL Series.
- The body constructed of carbon steel, The disc & stem are constructed of stainless steel.
- Bi-directional dead end service



DIMENSIONS

NPS	unit	d	H		H1	H2	L	D	C	h	n	D1		L1
			Lever	Gear								Lever	Gear	
2½	mm	56	221	---	187	106	46	121	149	3/4-10UNC	8	230	---	---
	inch	2.20	8.70	---	7.36	4.17	1.81	4.76	5.87			9.06	---	---
3	mm	74	235	---	198	117	48	133	168	3/4-10UNC	8	280	---	---
	inch	2.91	9.25	---	7.80	4.61	1.89	5.24	6.61			11.02	---	---
4	mm	94	255	---	220	133	54	158	200	3/4-10UNC	8	280	---	---
	inch	3.70	10.04	---	8.66	5.24	2.13	6.22	7.87			11.02	---	---
5	mm	118	273	---	237	155	59	189	235	3/4-10UNC	8	350	---	---
	inch	4.65	10.75	---	9.33	6.10	2.32	7.44	9.25			13.78	---	---
6	mm	140	---	315	256	176	59	219	270	3/4-10UNC	12	---	170	180
	inch	5.51	---	12.40	10.08	6.93	2.32	8.62	10.63			---	6.69	7.09

⚠ State of California Prop 65 WARNING : Cancer and Reproductive Harm. For more information visit www.p65warnings.co.gov



ISO 9001 certified since 1989

KITZ

KITZ CORPORATION

- Distributed by -

International Sales Department
1-10-1 Nakase, Mihama-ku, Chiba 261-8577, Japan
Phone: +81-43-299-1730, 1732 and 1733